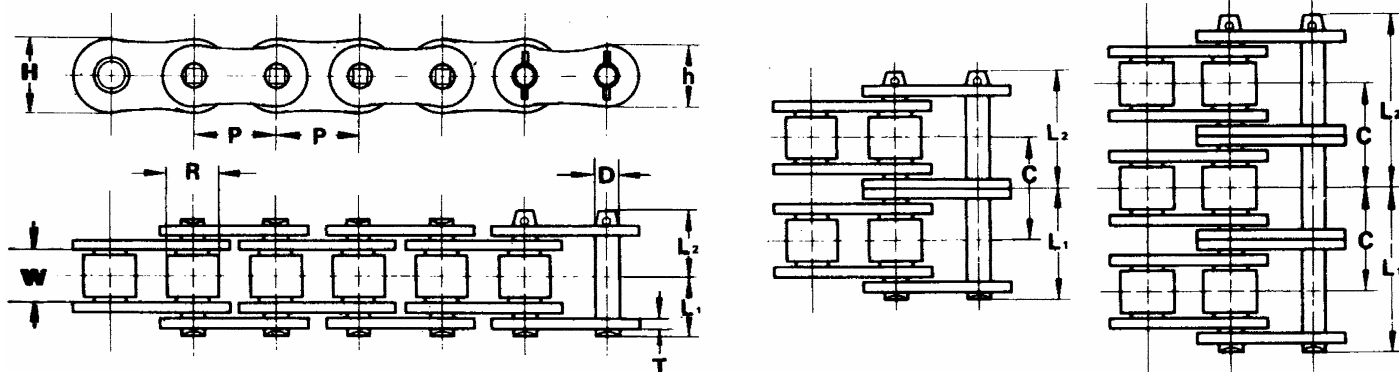


ŁAŃCUCHY NAPĘDOWE WZMOCNIONE „H”, STANDARD AMERYKAŃSKI „A”



TSUBAKI Nr. Kat	Podziałk a P [mm]	Śred. rolki R [mm]	Szer. wewn. W [mm]	Płytki			Sworzeń			Rozstaw C [mm]	Wytrzym. na rozciąganie [kN]	Dopusz. napręż. [kN]	Waga [kg/m]
				T [mm]	H [mm]	h [mm]	D [mm]	L ₁ [mm]	L ₂ [mm]				
SIMPLEX													
RS 60H	19.05	11.91	12.70	3.2	18.1	15.6	5.96	14.55	16.95	—	44.1	9.81	1.80
RS 80H	25.40	15.88	15.88	4.0	24.1	20.8	7.94	18.30	20.90	—	78.5	16.20	3.11
RS 100H	31.75	19.05	19.05	4.8	30.1	26.0	9.54	21.80	24.50	—	118	24.50	4.58
RS 120H	38.10	22.23	25.40	5.6	36.2	31.2	11.11	26.95	30.55	—	167	32.40	6.53
RS 140H	44.45	25.40	25.40	6.4	42.2	36.4	12.71	28.90	33.10	—	216	42.70	8.27
RS 160H	50.80	28.58	31.75	7.2	48.2	41.6	14.29	33.95	38.45	—	270	55.90	10.97
RS 200H	63.50	39.69	38.10	9.5	60.3	52.0	19.85	42.40	48.20	—	461	78.50	18.41
RS 240H	76.20	47.63	47.63	12.7	72.4	62.4	23.81	54.80	62.30	—	677	113.00	29.13
DUPLEX													
RS 60H-2	19.05	11.91	12.70	3.2	18.1	15.6	5.96	27.50	30.00	26.1	88.3	16.70	3.59
RS 80H-2	25.40	15.88	15.88	4.0	24.1	20.8	7.94	34.60	37.20	32.6	157	27.60	6.18
RS 100H-2	31.75	19.05	19.05	4.8	30.1	26.0	9.54	41.40	44.10	39.1	235	41.70	9.03
RS 120H-2	38.10	22.23	25.40	5.6	36.2	31.2	11.11	51.40	55.00	48.9	320	55.00	12.90
RS 140H-2	44.45	25.40	25.40	6.4	42.2	36.4	12.71	55.00	59.50	52.2	420	72.60	16.38
RS 160H-2	50.80	28.58	31.75	7.2	48.2	41.6	14.29	64.95	69.45	61.9	530	95.00	21.78
RS 200H-2	63.50	39.69	38.10	9.5	60.3	52.0	19.85	81.60	87.40	78.3	922	133.00	36.47
RS 240H-2	76.20	47.63	47.63	12.7	72.4	62.4	23.81	105.30	113.30	101.2	1350	192.00	57.35
TRIPLEX													
RS 60H-3	19.05	11.91	12.70	3.2	18.1	15.6	5.96	41.00	43.70	26.1	132	24.50	5.36
RS 80H-3	25.40	15.88	15.88	4.0	24.1	20.8	7.94	50.75	53.85	32.6	235	40.50	9.24
RS 100H-3	31.75	19.05	19.05	4.8	30.1	26.0	9.54	60.95	63.75	39.1	353	61.30	13.54
RS 120H-3	38.10	22.23	25.40	5.6	36.2	31.2	11.11	75.80	79.60	48.9	480	80.90	19.33
RS 140H-3	44.45	25.40	25.40	6.4	42.2	36.4	12.71	81.05	85.60	52.2	630	107.00	24.54
RS 160H-3	50.80	28.58	31.75	7.2	48.2	41.6	14.29	95.40	100.60	61.9	794	140.00	32.63
RS 200H-3	63.50	39.69	38.10	9.5	60.3	52.0	19.85	120.90	126.20	78.3	1380	196.00	54.77
RS240H-3	76.20	47.63	47.63	12.7	72.4	62.4	23.81	155.05	163.15	101.2	2030	282.00	85.47